

## Stainless Steel-Knurled Control knobs

### SPECIFICATION

#### Types

- Type **A**: with arrow
- Type **B**: neutral, without arrow or scale
- Type **S**: with standard scale 0...9, 20 graduations

Stainless Steel AISI 304  
matt shot-blasted **MT**

Scale (Type S) and arrow (Type A)  
engraved with laser precision

Stainless Steel-Grub screw DIN 916  
with internal hexagon and serrated point



### INFORMATION

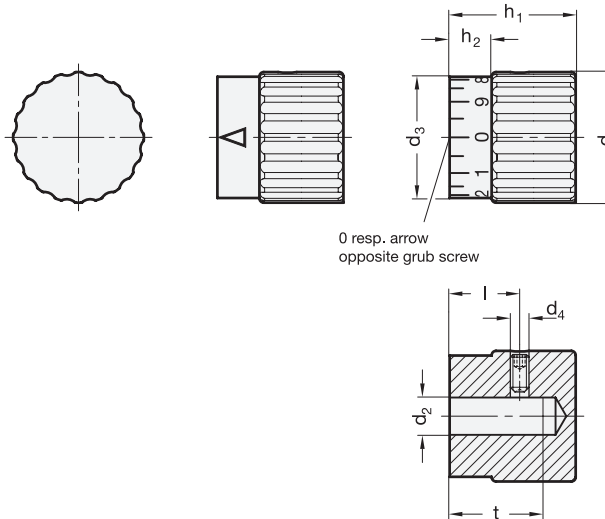
Scale and arrow on the Stainless Steel-control knobs GN 436.1 are indelibly marked and easily legible.

Besides the standard scale (Type S) the control knobs can be supplied with any type of graduation.

Regarding design, numbering position and numbering sequence of the scale please see the layout for scale knobs on the order sheet "How to order graduations" (see page 594).

### TECHNICAL INFORMATION

- ISO-Fundamental Tolerances (see page A21)
- Stainless Steel characteristics (see page A26)



### GN 436.1

**STAINLESS STEEL**

Description	d1	d2 H8	d3	d4	h1	h2	l	t min.	⚖️
GN 436.1-24-B5-A-MT	24	B 5	22	M 4	24	8	12	18	80
GN 436.1-24-B6-A-MT	24	B 6	22	M 4	24	8	12	18	80
GN 436.1-28-B6-A-MT	28	B 6	26	M 4	27	9	13	20	116
GN 436.1-28-B8-A-MT	28	B 8	26	M 4	27	9	13	20	115
GN 436.1-24-B5-B-MT	24	B 5	22	M 4	24	8	12	18	80
GN 436.1-24-B6-B-MT	24	B 6	22	M 4	24	8	12	18	79
GN 436.1-28-B6-B-MT	28	B 6	26	M 4	27	9	13	20	116
GN 436.1-28-B8-B-MT	28	B 8	26	M 4	27	9	13	20	114
GN 436.1-24-B5-S-MT	24	B 5	22	M 4	24	8	12	18	84
GN 436.1-24-B6-S-MT	24	B 6	22	M 4	24	8	12	18	83
GN 436.1-28-B6-S-MT	28	B 6	26	M 4	27	9	13	20	120
GN 436.1-28-B8-S-MT	28	B 8	26	M 4	27	9	13	20	119

